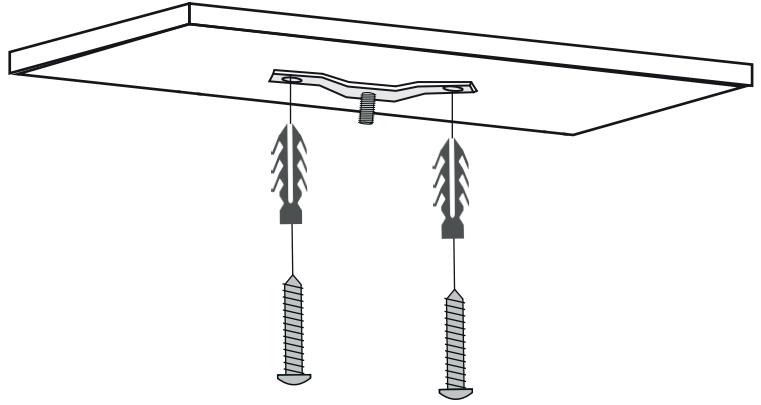
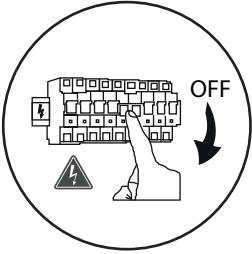
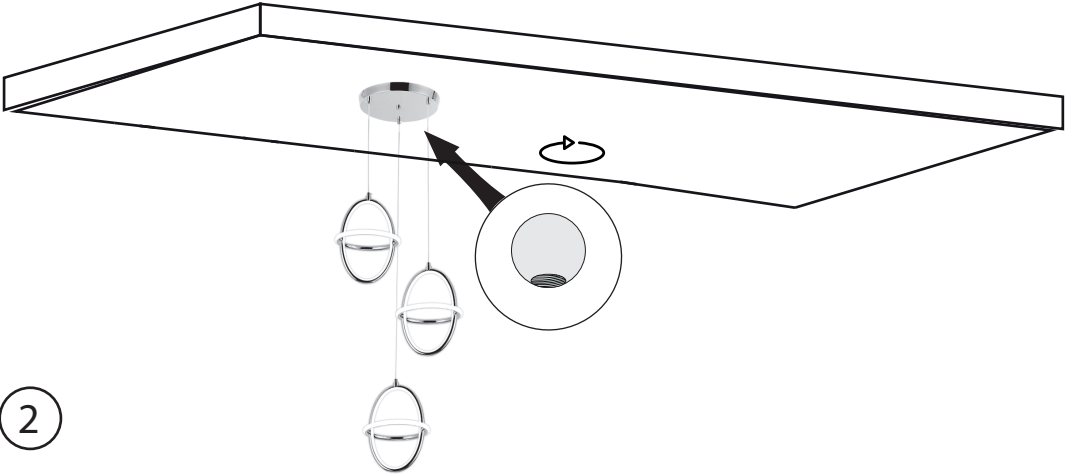


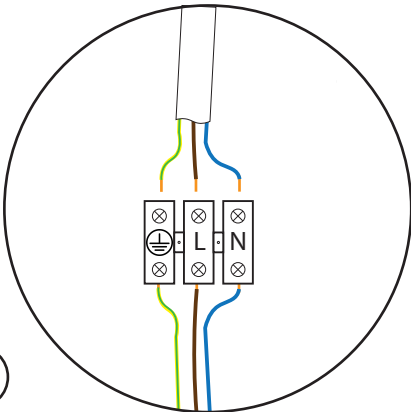
G064-3CPR



1



2



3

